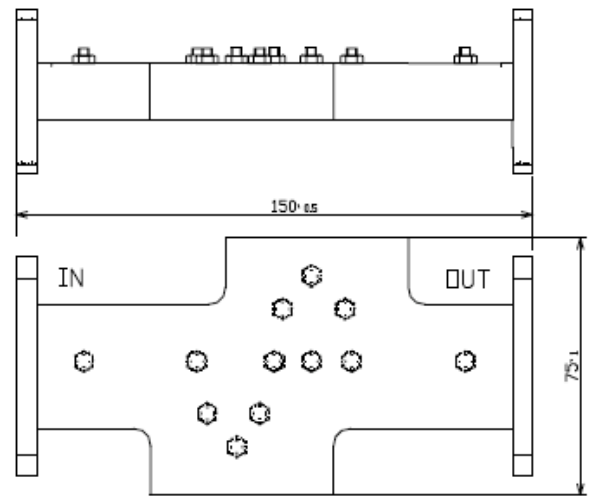
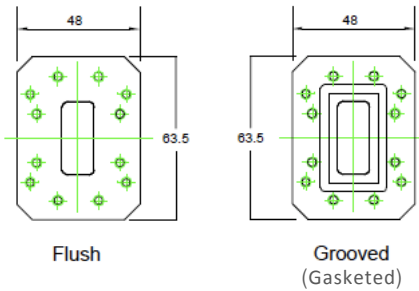


Orbital RBPFX Series X-Band Receive Bandpass Filter



Mechanical Drawing



Filter
RBPFX

Receive bandpass filter with WR-112 input interface, 12-hole, flat waveguide

Input/Output Connector

WF12 - CP-112 flat 12-hole flange

Attenuation

35 - 35 dB (7.9 to 8.4 GHz)

RBPFX - WF12 WG12 - 35

Input/Output Connector

WG12 - CP-112 gasketed 12-hole flange

Specifications

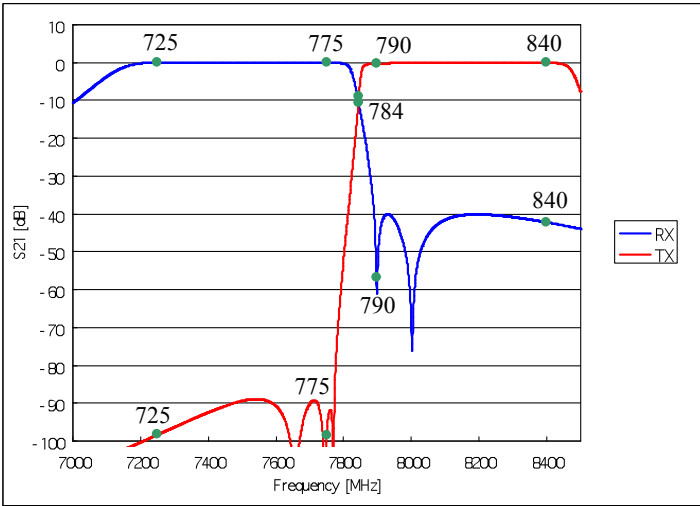
Pass Band: 7.25 to 7.75 GHz
 Attenuation band: 7.9 to 8.4 GHz
 Attenuation: 35 dB
 Insertion Loss: 0.3 dB max
 VSWR: 1.30 : 1
 Connectors: WR-112 12-hole flange
 Dimensions: 4.9 x 2.8 x 2.0 in,
 125 x 71 x 50 mm
 Weight: 10 oz, 285 grams
 RoHs & REACH Compliant

David Zuvic,
 Tel: (604) 856-0305
 dzuvic@orbitalresearch.net

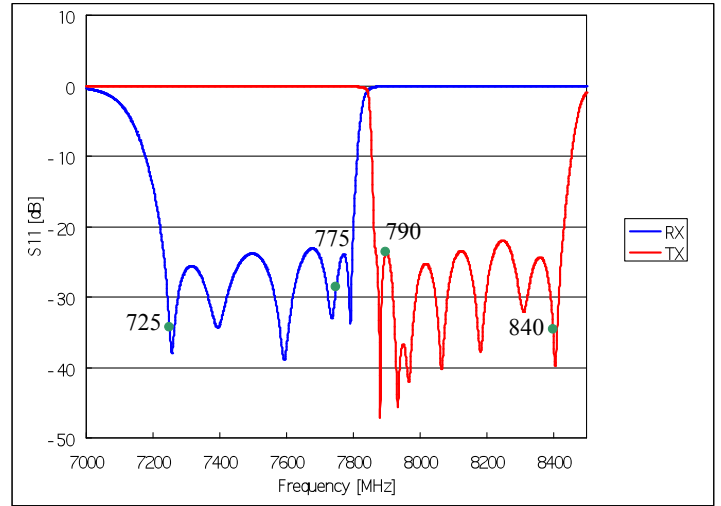
Orbital Research Ltd.,
 14239 Marine Drive, White Rock,
 BC, V4B-1A9 Canada

Doug Macdonald,
 Tel: (647) 992-1210
 doug.macdonald@orbitalresearch.net

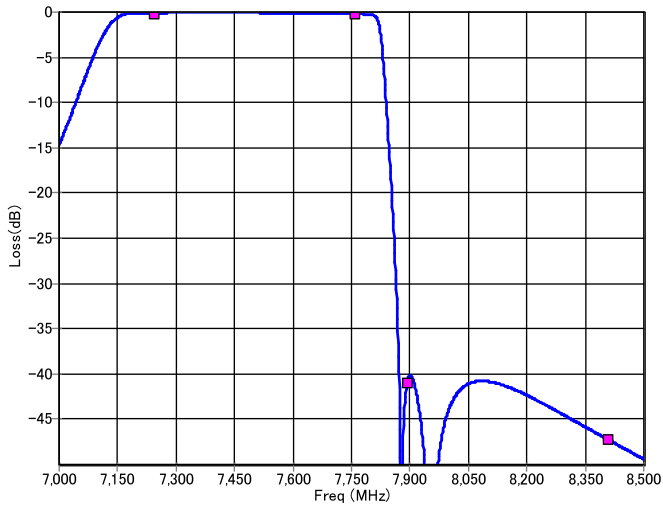
Attenuation characteristics of Tx-BPF and Rx-BPF



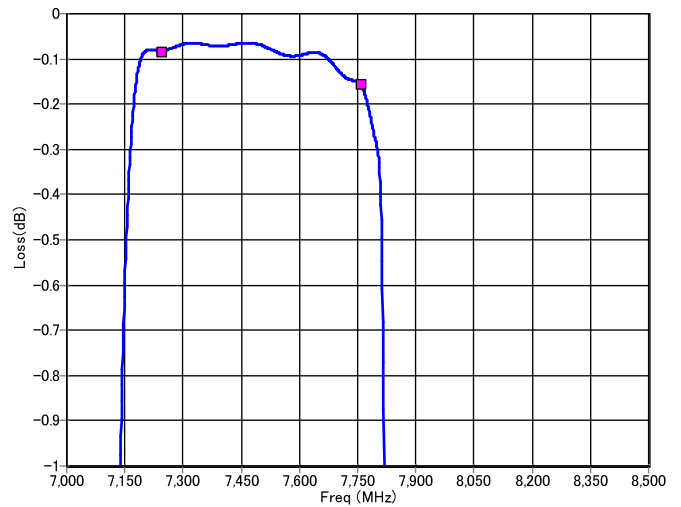
Return Loss characteristics of Tx-BPF and Rx-BPF



Attenuation in Tx Band



Insertion Loss in Tx Band



Orbital Research Ltd. designs and builds products for satellite communications applications. Orbital website: Copyright © 2012 Genie in the Bottle Enterprises Inc. All rights reserved. Specifications subject to change without notice.

www.orbitalresearch.net