



## System Interface Products

### **PS1 Series - North American Power Supply**



High Efficiency, Compact, North American Power Supply

#### **How to order a PS1 Series – North American Power Supply**

Module

PS1 - N. American Power Supply

Power Supply Output Connector  
B - BNC

Power Supply Output Power  
18 - 18 VDC, 1.1 A, 20W

PS1-B18

#### **Orbital Design:**

Orbital Research introduces the PS1 - North American Power Supply that is an accessory to the System Interface Product (SIP). It can be used with the MT25/40 - Mux/Tee, RPT - Redundant Power Tee, MOS - Master Oscillator, POS - Precision Oscillator, MOM - Master Oscillator Module, POP - Precision Oscillator Package, or MODM - Master Oscillator with Dual Modules. The PS1 can supply power for Oscillator, LNB or BDC.

#### **Orbital Features:**

- Voltage Input: 90 - 264 Vac
- Frequency: 47 to 63 Hz
- Continuous Short Circuit Protection
- Over Voltage Protection - Option
- Over Current Protection
- High Efficiency, 75% Typical
- Meets EN55022 Class "B" Conducted

#### **Ordering:**

The PS1 power supply can be for powering an Orbital Oscillator or for LNB or BDC power through an Orbital Mux/Tee, Thru Tee or Dual Power Tee. The PS1 is perfect for powering Orbital's MOS and POS Oscillators. Please make sure and choose the proper output connector.

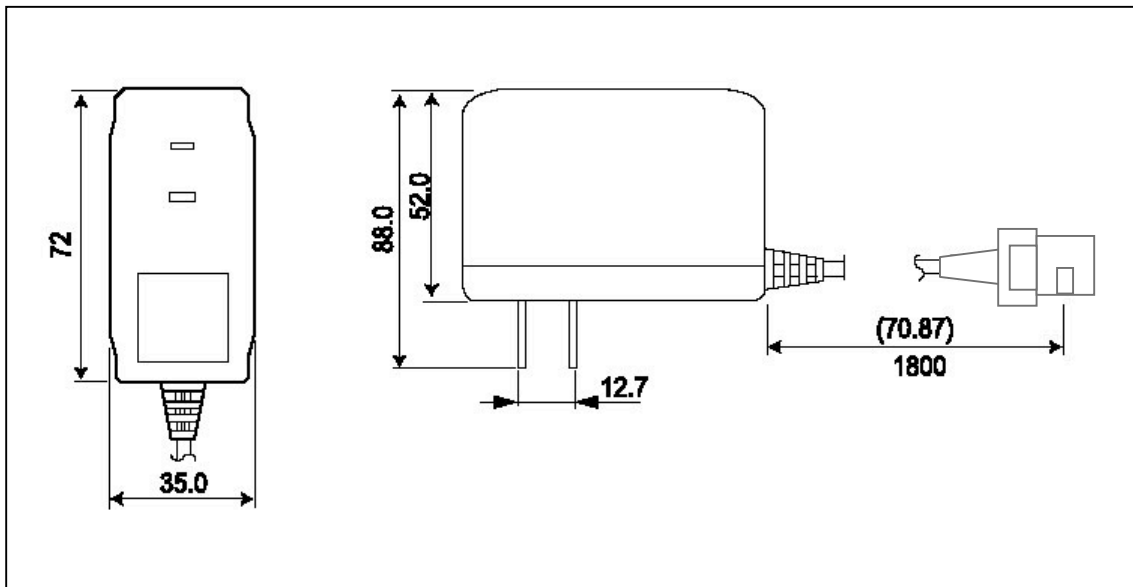
To use the PS1 power supply to power an LNB, the customer can choose from the options available.

**14239 Marine Drive,  
White Rock, BC  
V4B-1A9 Canada**

**1927 Boblett Street,  
Blaine, WA  
98230, USA**

**Tel: (604) 856-0305, Fax: (604) 856-0315  
davidzovic@orbitalresearch.net  
www.orbitalresearch.net**

## System Interface Product (SIP): PS1 - Power Supply Specifications



Mechanical drawing with dimensions

Model	Output Voltage	Output Current	Ripple & Noise	Voltage Accuracy	Line Regulation	Load Regulation
PS1- -18	18V	1.1 A	1%	± 2%	± 1%	± 2%

**Note:**

1: Voltage accuracy at 60% full load.

2: Add a 0.1uF ceramic capacitor and a 10uF E.L. capacitor to output for the Ripple& Noise measurement @ 20MHz BW.

### Electrical Specifications

#### **Input Characteristics**

Voltage: 90 to 264 Vac  
 Frequency: 47 to 63 Hz  
 Input Current: 0.5A Maximum  
 Inrush Current: 50A Maximum @ 264 Vac

#### **Transfer Characteristics**

Holdup Time: 10mS typ. @ 115 Vac  
 Short Circuit Protection: Continuous (Auto Recovery)  
 Over Current Protection: Constant Current type  
 MTBF: >70,000 hours

### Environmental Specifications

Operating Temp: 0 to 40°C  
 Storage Temp: -20 to 85°C

### Mechanical Specifications

Dimensions: 2.83 x 2.04 x 1.38 inches  
 Weight: 0.35 pounds

Orbital Research Ltd. designs and builds products for satellite communications applications. Orbital website: [www.orbitalresearch.net](http://www.orbitalresearch.net). Copyright © 2010 Genie in the Bottle Enterprises Inc. All rights reserved. Specifications subject to change without notice.

