



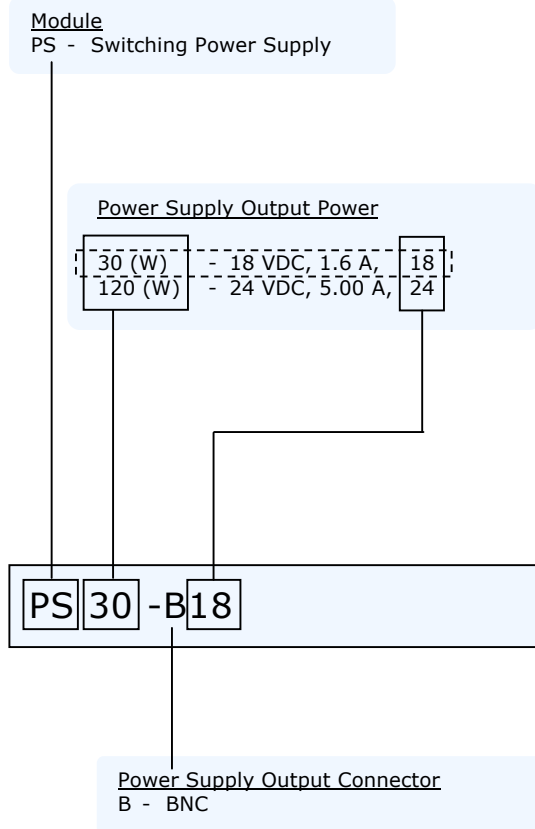
Power Supplies

PS2 Series Global Power Supply



High Efficiency, Compact, Universal Power Supply

How to order a PS2 Series Global Power Supply



BNC-to-pigtail adapters and BNC-to-binding post adapters sold separately. Contact Orbital Research for part number and price.

Orbital Design:

Orbital Research presents the PS2 Series - Low Noise Global Power Supplies that power our System Interface Products (SIP). The PS30 can be used with the MT25/40 - Mux/Tee, MOS - Master Oscillator, MOM - Master Oscillator Module, POP - Precision Oscillator Package, or MODM - Master Oscillator Dual Modules. The PS120 provides higher current (up to 5.0 Amps) to power BUCs.

Orbital Features:

- Global Input: 90 - 264 VAC
- Continuous Short Circuit Protection
- Over Voltage Protection
- Conductive EMI Meets CISPR/FCC Class B
- High Efficiency, 88% Typical
- Green Power (Input power < 0.75W at no load)
- Meets "European Commission of Energy" 2003 year Phase 2
- Also available with SIP mounting plate (see RPT - Redundant Power Tee brochure)

Ordering:

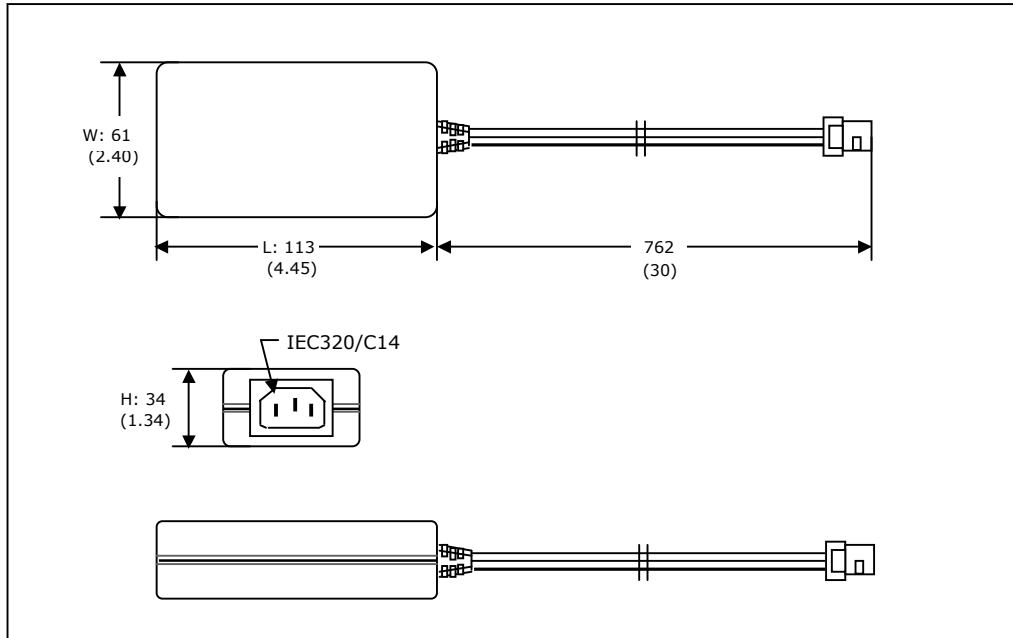
The PS2 Series can power an Orbital Oscillator, LNB, BDC, or low power BUC through an Orbital Mux/Tee. For Orbital Oscillators, the 18V version is recommended since using a higher voltage power supplies may damage the Oscillator. Please make sure and choose the proper connector. (For North American applications, the PS1 could be ordered instead.)

To use the PS2 Series power supply with an LNB, BDC or BUC, the customer can choose from the options available. For operation with our MOM - Master Oscillator Module, POP - Precision Oscillator Package or MODM - Master Oscillator Dual Module, make sure the power supply voltage is within the 15 to 20 VDC specified for the Oscillator. Otherwise use one power supply for the Oscillator and a second one for the secondary package. Power supplies with other Wattages and Voltages are available upon request.

14239 Marine Drive,
White Rock, BC
V4B-1A9 Canada

Tel: (604) 856-0305, Fax: (604) 856-0315
davidzovic@orbitalresearch.net
www.orbitalresearch.net

SIP: PS2 Series – Global Power Supply Specifications



Mechanical drawing with dimensions for 30W unit.
Dimensions in millimeters (inches)

Model	Output Voltage	Max. Load	Input Current (115VAC)	Input Current (230VAC)	Ripple & Noise	Total Regulation
PS30-B18	18VDC	1.6 Amp	1A	0.5A	180mVp-p	± 5%
PS120-B24	24VDC	5.00 Amp	1.4A	0.7A	200mVp-p	± 3%

Electrical Specifications

Requires a NEMA5-15P to IEC320-C13 cord

Input Characteristics

Voltage: 90 to 264 VAC
Frequency: 47 to 63 Hz

30W unit

Inrush Current: 30A (115VAC) max
MTBF: 50,000 hours

120W unit

Inrush Current: 120A (230VAC)
MTBF: 300,000 hours

Mechanical Specifications

30W

Dimensions: 4.45 x 2.40 x 1.34 inches
Weight: 8.5 ounces

120W unit

Dimensions: 6.57 x 2.63 x 1.38 inches
Weight: 18.4 ounces

Environmental Specifications

Operating Temp (30W): 0 to +45°C
Operating Temp (120W): 0 to +50°C
Storage Temp (30W): -30 to +85°C
Storage Temp (120W): -20 to +85°C

Orbital Research Ltd. designs and builds products for satellite communications applications. Orbital website: www.orbitalresearch.net. Copyright © 2010 Genie in the Bottle Enterprises Inc. All rights reserved. Specifications subject to change without notice.