

C Band 3400X Series External Reference LNB



Part Number	Input Frequency	Output Frequency	Output Conn
LNB515S-800X-WF60 LNB515S-800X-WN60	3.40 to 4.20 GHz 3.40 to 4.20 GHz	950 to 1750 MHz 950 to 1750 MHz	F 75Ω (f) N 50Ω (f)
LNB515S-575X-WF60 LNB515S-575X-WN60	3.625 to 4.20 GHz 3.625 to 4.20 GHz	950 to 1525 MHz 950 to 1525 MHz	F 75Ω (f) N 50Ω (f)
LNB515S-500X-WF60 LNB515S-500X-WN60	3.70 to 4.20 GHz 3.70 to 4.20 GHz	950 to 1450 MHz 950 to 1450 MHz	F 75Ω (f) N 50Ω (f)

*SMA output connectors also available

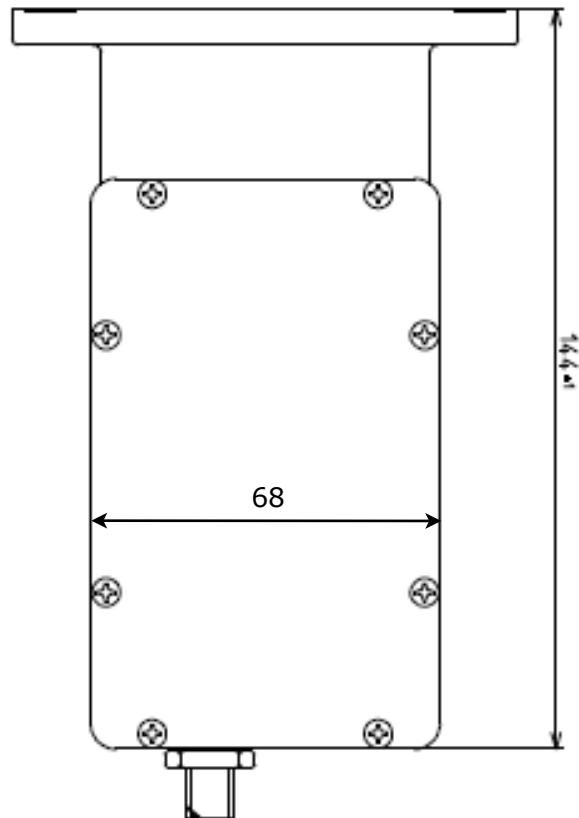
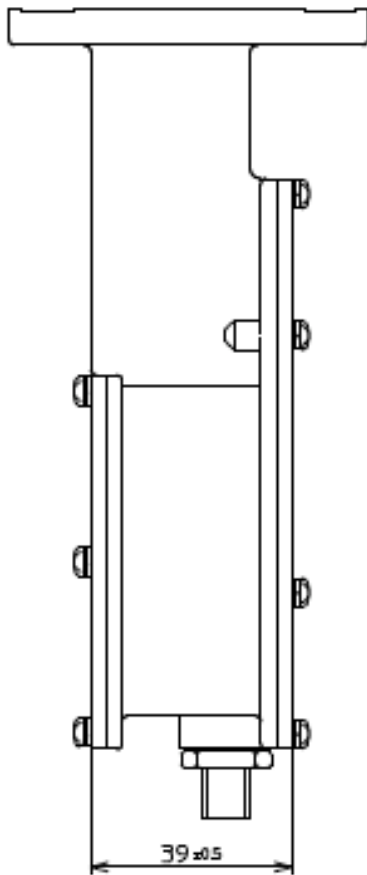
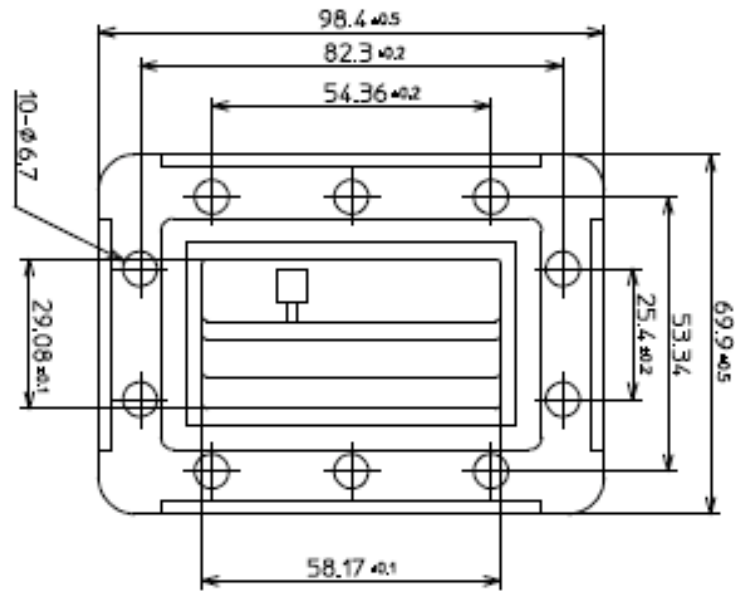
Specifications

www.orbitalresearch.net

Noise Temp:	25K (typ) @ +25°C	Input Conn:	WR-229G
LO Frequency Stability:	Zero drift - phase locked to ext ref	Output Connector:	F-Type, 75Ω or N-Type, 50Ω
LO Phase Noise:	Ref. dependent	MTBF:	>700,000 hours
Gain:	60 dB typical	Input Voltage:	+12 to +24 VDC
Gain Ripple:	<1 dB p-p max per 36 MHz segment	Size:	144 x 68 x 39 mm 5.7 x 2.7 x 1.5 in
Image Rejection:	>45 dBc max.	Current:	300 mA max.
1dB Comp. point:	+10 dBm min.	Weight:	approx. 560g
10 MHz Level:	-8 dBm to 0 dBm	Temp Range:	-40°C to +60°C
Input VSWR:	2.2 : 1	Relative Humidity:	Up to 100%, frost condensation
Output VSWR:	1.5 : 1 max @ 75Ω		

David Zuvic, 1-604-856-0305
dzuvic@orbitalresearch.net

Mechanical Diagram



RoHS & REACH Compliant